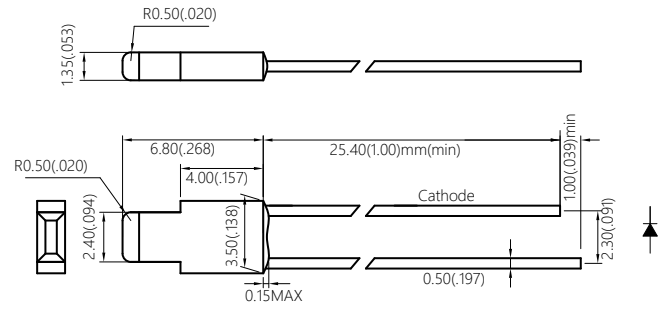


HOLE AMP
FOULS

1.35 mm

Tower

L-CD41 Series



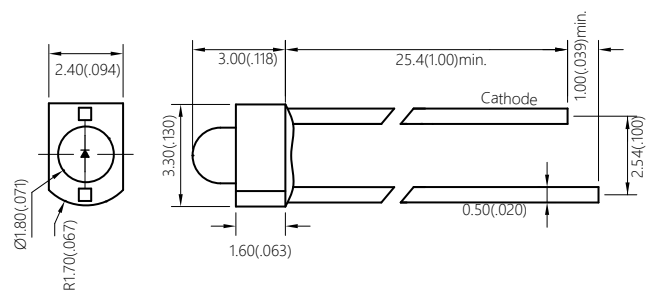
Unit : mm

Part No.	Ref. PN	Emitting Color	Wavelength λ_d (nm)/ CIE (x.y)	Resin Type	Typ. Luminous Intensity I_v (mcd)	Viewing Angle (deg.)	Typ. Forward Voltage V_F (V)	Forward Current I_F (mA)
L-CD41GD	LJS2GD777	Yellow Green	570	Green Diffused	5	140	1.9	20
L-CD41YD	LJS2YD776	Yellow	587	Yellow Diffused	6	140	2.1	20
L-CD41AD	LJS2AD775	Orange	605	Orange Diffused	6	140	2.1	20
L-CD41EW	LJS2EW774	Super Red	628	White Diffused	12	140	1.9	20

1.8 mm

Tower

L-204 Series



Unit : mm

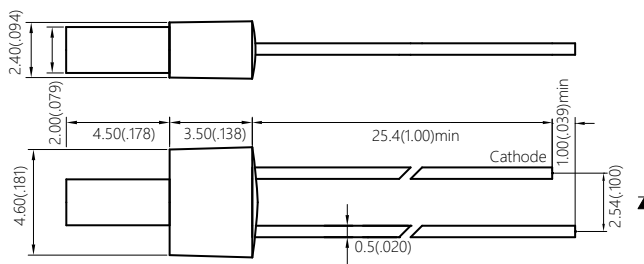
Part No.	Ref. PN	Emitting Color	Wavelength λ_d (nm)/ CIE (x.y)	Resin Type	Typ. Luminous Intensity I_v (mcd)	Viewing Angle (deg.)	Typ. Forward Voltage V_F (V)	Forward Current I_F (mA)
L-204GD	LJR2GD998	Yellow Green	570	Green Diffused	15	60	1.9	20
L-204YD	LJR2YD997	Yellow	587	Yellow Diffused	12	60	2.1	20
L-204AD	LJR2AD999	Orange	605	Orange Diffused	18	60	2.1	20
L-204ED	LJR2ED996	Super Red	628	Red Diffused	25	60	1.9	20
L-204SRD	LJR2SRD995	Hyper Red	640	Red Diffused	100	60	1.9	20

2 mm

Tower

L-214 Series

3



Unit : mm

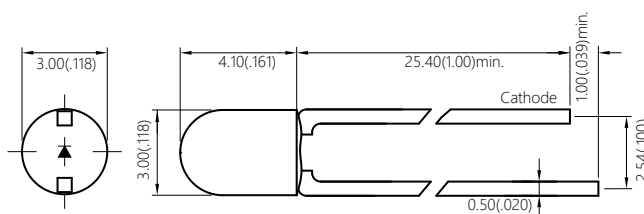
Part No.	Ref. PN	Emitting Color	Wavelength λ_d (nm)/ CIE (x,y)	Resin Type	Typ. Luminous Intensity I_v (mcd)	Viewing Angle (deg.)	Typ. Forward Voltage V_F (V)	Forward Current I_F (mA)
L-214GD	LJR2GD993	Yellow Green	570	Green Diffused	10	90	1.9	20
L-214YD	LJR2YD992	Yellow	587	Yellow Diffused	10	90	2.1	20
L-214AD	LJR2AD994	Orange	605	Orange Diffused	15	90	2.1	20
L-214ED	LJR2ED991	Super Red	628	Red Diffused	20	90	1.9	20
L-214SRD	LJR2SRD990	Hyper Red	640	Red Diffused	50	90	1.9	20

Through Hole Lamp

3 mm

Round

L-304 Series



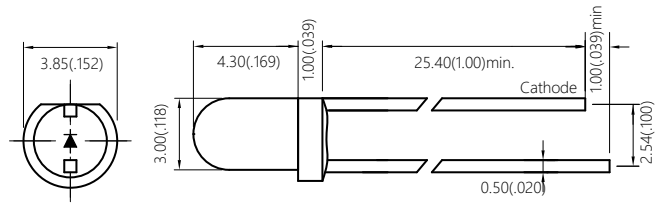
Unit : mm

Part No.	Ref. PN	Emitting Color	Wavelength λ_d (nm)/ CIE (x,y)	Resin Type	Typ. Luminous Intensity I_v (mcd)	Viewing Angle (deg.)	Typ. Forward Voltage V_F (V)	Forward Current I_F (mA)
L-304GD	LJR3GD987	Yellow Green	570	Green Diffused	12	60	1.9	20
L-304YD	LJR3YD986	Yellow	587	Yellow Diffused	25	60	2.1	20
L-304AD	LJR3AD989	Orange	605	Orange Diffused	12	60	2.1	20
L-304ED	LJR3ED985	Super Red	628	Red Diffused	20	60	1.9	20
L-304SRD	LJR3SRD984	Hyper Red	640	Red Diffused	45	60	1.9	20

3 mm

Round

L-314 Series



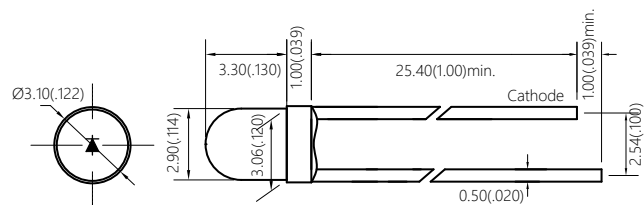
Unit : mm

Part No.	Ref. PN	Emitting Color	Wavelength λ_d (nm)/ CIE (x.y)	Resin Type	Typ. Luminous Intensity I_v (mcd)	Viewing Angle (deg.)	Typ. Forward Voltage V_F (V)	Forward Current I_F (mA)
L-314UB5D	LJR3UB5D978	Blue	465	Blue Diffused	300	60	3	20
L-314LPG6D	LJR3LPG6D983	Green	525	Green Diffused	500	60	3	20
L-314GD	LJR3GD982	Yellow Green	570	Green Diffused	20	60	1.9	20
L-314YD	LJR3YD981	Yellow	587	Yellow Diffused	15	60	2.1	20
L-314AD	LJR3AD979	Orange	605	Orange Diffused	40	60	2.1	20
L-314ED	LJR3ED980	Super Red	628	Red Diffused	50	60	1.9	20
L-314SRD	LJR3SRD977	Hyper Red	640	Red Diffused	80	60	1.9	20

3 mm

Round

L-354 Series



Unit : mm

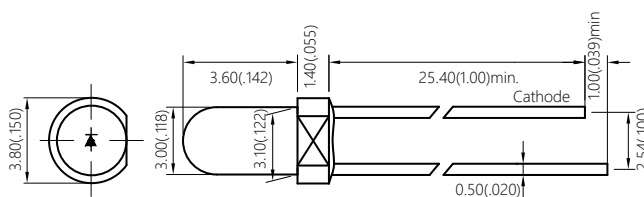
Part No.	Ref. PN	Emitting Color	Wavelength λ_d (nm)/ CIE (x.y)	Resin Type	Typ. Luminous Intensity I_v (mcd)	Viewing Angle (deg.)	Typ. Forward Voltage V_F (V)	Forward Current I_F (mA)
L-354GD	LJR3GD971	Yellow Green	570	Green Diffused	20	60	1.9	20
L-354YD	LJR3YD972	Yellow	587	Yellow Diffused	15	60	2.1	20
L-354AD	LJR3AD970	Orange	605	Orange Diffused	14	60	2.1	20
L-354ED	LJR3ED969	Super Red	628	Red Diffused	40	60	1.9	20
L-354SRD	LJR3SRD968	Hyper Red	640	Red Diffused	40	60	1.9	20

3 mm

Round

L-3U4 Series

5



Unit : mm

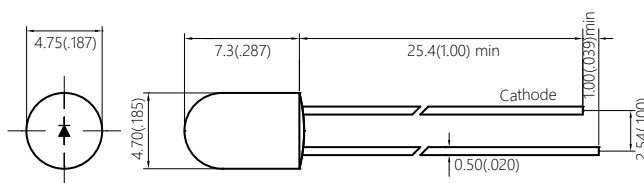
Part No.	Ref. PN	Emitting Color	Wavelength λ_d (nm)/ CIE (x,y)	Resin Type	Typ. Luminous Intensity I_v (mcd)	Viewing Angle (deg.)	Typ. Forward Voltage V_F (V)	Forward Current I_F (mA)
L-3U4UB5C	LJR3UB5C956	Blue	465	Water Clear	2500	25	3	20
L-3U4LPG6C	LJR3LPG6C961	Green	525	Water Clear	2000	25	3	20
L-3U4GD	LJR3GD960	Yellow Green	570	Green Diffused	20	60	1.9	20
L-3U4VG3C	LJR3VG3C957	Yellow Green	570	Water Clear	300	25	1.9	20
L-3U4YD	LJR3YD959	Yellow	587	Yellow Diffused	15	60	2.1	20
L-3U4AD	LJR3AD957	Orange	605	Orange Diffused	25	60	2.1	20
L-3U4ED	LJR3ED958	Super Red	628	Red Diffused	25	60	1.9	20
L-3U4SRD	LJR3SRD956	Hyper Red	640	Red Diffused	100	60	1.9	20

Through Hole Lamp

5 mm

Round

L-503 Series



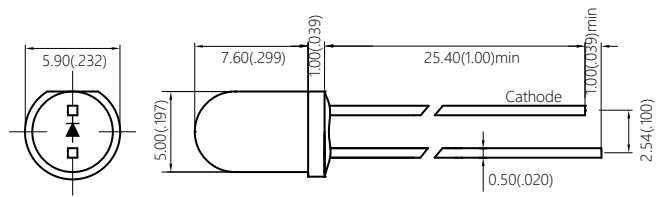
Unit : mm

Part No.	Ref. PN	Emitting Color	Wavelength λ_d (nm)/ CIE (x,y)	Resin Type	Typ. Luminous Intensity I_v (mcd)	Viewing Angle (deg.)	Typ. Forward Voltage V_F (V)	Forward Current I_F (mA)
L-503GD	LJR5GD914	Yellow Green	570	Green Diffused	20	60	2	20
L-503YD	LJR5YD913	Yellow	587	Yellow Diffused	15	60	2.1	20
L-503AD	LJR5AD915	Orange	605	Orange Diffused	12	60	2.1	20
L-503ED	LJR5ED912	Super Red	628	Red Diffused	20	60	1.9	20
L-503SRD	LJR5SRD911	Hyper Red	640	Red Diffused	40	60	1.9	20

5 mm

Round

L-513 Series



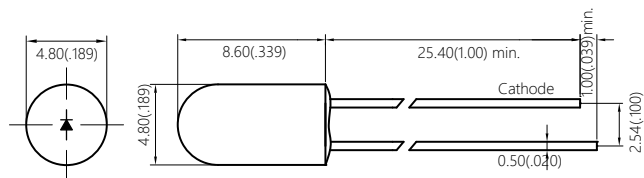
Unit : mm

Part No.	Ref. PN	Emitting Color	Wavelength λ_d (nm)/ CIE (x.y)	Resin Type	Typ. Luminous Intensity I_v (mcd)	Viewing Angle (deg.)	Typ. Forward Voltage V_F (V)	Forward Current I_F (mA)
L-513LPG6C	LJR5LPG6C906	Green	525	Water Clear	2800	15	3	20
L-513GD	LJR5GD731	Yellow Green	570	Green Diffused	13	60	1.9	20
L-513VG3C	LJR5VG3C909	Yellow Green	570	Water Clear	600	15	1.9	20
L-513YD	LJR5YD730	Yellow	587	Yellow Diffused	15	60	2.1	20
L-513VY5C	LJR5VY5C908	Yellow	587	Water Clear	3500	15	1.9	20
L-513AD	LJR5AD732	Orange	605	Orange Diffused	15	60	2.1	20
L-513ED	LJR5ED729	Super Red	628	Red Diffused	30	60	1.9	20
L-513VE2C	LJR5VE2C910	Super Red	628	Water Clear	4500	15	1.9	20
L-513SRD	LJR5SRD728	Hyper Red	640	Red Diffused	50	60	1.9	20

5 mm

Round

L-523 Series



Unit : mm

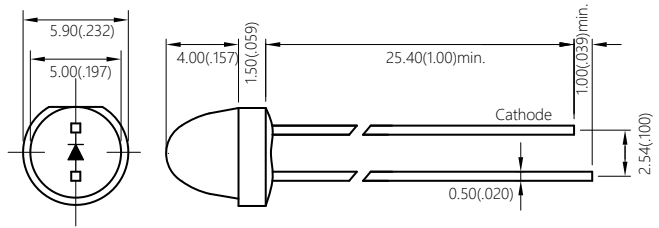
Part No.	Ref. PN	Emitting Color	Wavelength λ_d (nm)/ CIE (x.y)	Resin Type	Typ. Luminous Intensity I_v (mcd)	Viewing Angle (deg.)	Typ. Forward Voltage V_F (V)	Forward Current I_F (mA)
L-523GD	LJR5GD903	Yellow Green	570	Green Diffused	14	60	1.9	20
L-523YD	LJR5YD902	Yellow	587	Yellow Diffused	15	60	2.1	20
L-523AD	LJR5AD904	Orange	605	Orange Diffused	15	60	2.1	20
L-523ED	LJR5ED901	Super Red	628	Red Diffused	30	60	1.9	20
L-523SRD	LJR5SRD900	Hyper Red	640	Red Diffused	40	60	1.9	20

5 mm

Round

L-593 Series

7



Unit : mm

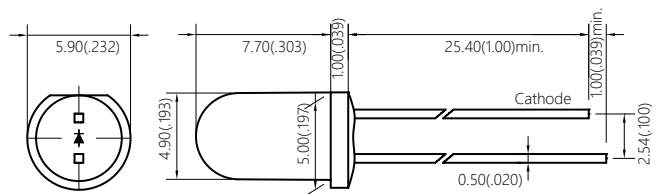
Part No.	Ref. PN	Emitting Color	Wavelength λ_d (nm)/ CIE (x,y)	Resin Type	Typ. Luminous Intensity I_v (mcd)	Viewing Angle (deg.)	Typ. Forward Voltage V_F (V)	Forward Current I_F (mA)
L-5947UB5D	LJR5UB5D883	Blue	465	Blue Diffused	200	80	3	20
L-593GD	LJR5GD887	Yellow Green	570	Green Diffused	20	80	1.9	20
L-593YD	LJR5YD886	Yellow	587	Yellow Diffused	15	80	2.1	20
L-593AD	LJR5AD888	Orange	605	Orange Diffused	18	80	2.1	20
L-593ED	LJR5ED885	Super Red	628	Red Diffused	25	80	1.9	20
L-593SRD	LJR5SRD884	Hyper Red	640	Red Diffused	40	80	1.9	20

Through Hole Lamp

5 mm

Round

L-5T47 Series



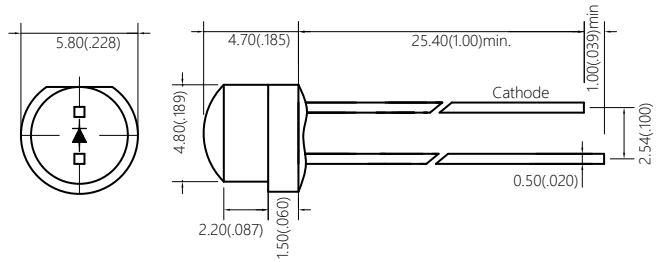
Unit : mm

Part No.	Ref. PN	Emitting Color	Wavelength λ_d (nm)/ CIE (x,y)	Resin Type	Typ. Luminous Intensity I_v (mcd)	Viewing Angle (deg.)	Typ. Forward Voltage V_F (V)	Forward Current I_F (mA)
L-5T47UW5C-C	LJR5UW5C774	White	(0.2,0.26)	Water Clear	5000	40	3	20
L-5T47UW5C-N	LOR5UW5C038G	White	(0.29,0.3)	Water Clear	3000	40	3	20
L-5T47UW5C-W	LPR5UW5C159G	White	(0.58,0.41)	Water Clear	7200	40	3	20

5 mm

Round

L-5P47 Series



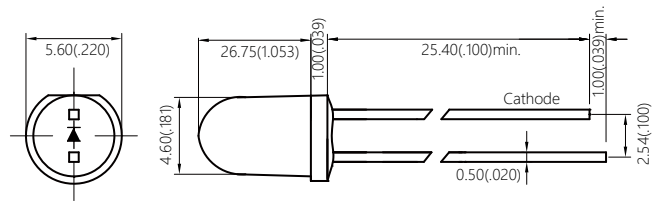
Unit : mm

Part No.	Ref. PN	Emitting Color	Wavelength λ_d (nm)/ CIE (x,y)	Resin Type	Typ. Luminous Intensity I_v (mcd)	Viewing Angle (deg.)	Typ. Forward Voltage V_F (V)	Forward Current I_F (mA)
L-5P47UW5C-BL	LJR5UW5C766	White	(0.20, 0.26)	Water Clear	1500	3.8	3.1	90
L-5P47QWC	LJR5QWC768	White	(0.21, 0.34)	Water Clear	1200	3.8	3.1	90
L-5P47UW5C	LJR5UW5C769	White	(0.26, 0.27)	Water Clear	1500	3.8	3.1	90
L-5P47UW5C-E	LJR5UW5C767	White	(0.44, 0.41)	Water Clear	1500	3.8	3.1	90

5 mm

Round

L-5347 Series



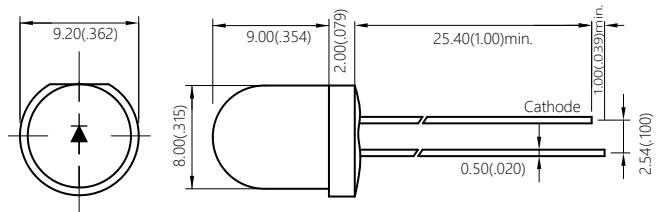
Unit : mm

Part No.	Ref. PN	Emitting Color	Wavelength λ_d (nm)/ CIE (x,y)	Resin Type	Typ. Luminous Intensity I_v (mcd)	Viewing Angle (deg.)	Typ. Forward Voltage V_F (V)	Forward Current I_F (mA)
L-5347UW5C-C	LJR5UW5C770	White	(0.2,0.26)	Water Clear	5500	20	3	20
L-5347UW5C	LJR5UW5C773	White	(0.3,0.29)	Water Clear	5000	20	3	20
L-5347UW5C-E	LJR5UW5C771	White	(0.44,0.41)	Water Clear	5500	20	3	20

8 mm

Round

L-813 Series



Unit : mm

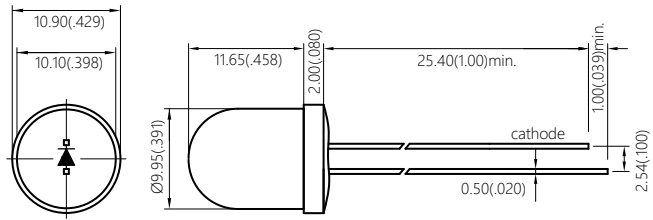
Part No.	Ref. PN	Emitting Color	Wavelength λ_d (nm)/ CIE (x,y)	Resin Type	Typ. Luminous Intensity I_v (mcd)	Viewing Angle (deg.)	Typ. Forward Voltage V_F (V)	Forward Current I_F (mA)
L-813GD	LJR8GD806	Yellow Green	570	Green Diffused	5	150	1.9	20
L-813YD	LJR8YD805	Yellow	587	Yellow Diffused	3	150	2.1	20
L-813ED	LJR8ED804	Super Red	628	Red Diffused	10	150	1.9	20
L-813SRD	LJR8SRD803	Hyper Red	640	Red Diffused	30	150	1.9	20

10 mm

Round

L-833 Series

9



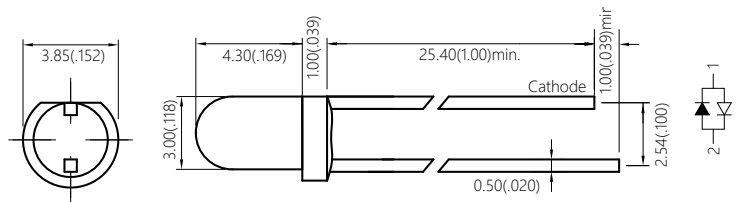
Unit : mm

Part No.	Ref. PN	Emitting Color	Wavelength λ_d (nm)/ CIE (x,y)	Resin Type	Typ. Luminous Intensity I_v (mcd)	Viewing Angle (deg.)	Typ. Forward Voltage V_F (V)	Forward Current I_F (mA)
L-833GD	LJRAGD801	Yellow Green	570	Green Diffused	5	150	1.9	20
L-833YD	LJRAYD800	Yellow	587	Yellow Diffused	3	150	2.1	20
L-833ED	LJRAED799	Super Red	628	Red Diffused	10	150	1.9	20
L-833SRD	LJRASRD798	Hyper Red	640	Red Diffused	15	150	1.9	20

3 mm

Round Dual Color

L-314 Series



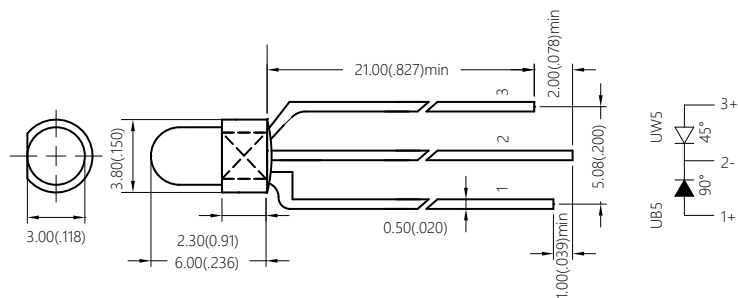
Unit : mm

Part No.	Ref. PN	Emitting Color	Wavelength λ_d (nm)/ CIE (x,y)	Resin Type	Typ. Luminous Intensity I_v (mcd)	Viewing Angle (deg.)	Typ. Forward Voltage V_F (V)	Forward Current I_F (mA)
L314UB5UW5W LOR3UB5UW5W153G		Blue	465	White Diffused	150	80	3	20
		White	(0.29,0.3)	White Diffused	300	80	3	20

3 mm

Round Dual Color

L-3T9 Series



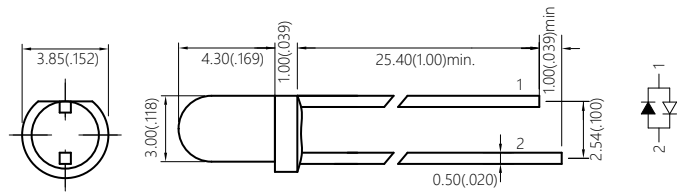
Unit : mm

Part No.	Ref. PN	Emitting Color	Wavelength λ_d (nm)/ CIE (x,y)	Resin Type	Typ. Luminous Intensity I_v (mcd)	Viewing Angle (deg.)	Typ. Forward Voltage V_F (V)	Forward Current I_F (mA)
L3T9UB5UW5W LRR3UB5UW5W210G		Blue	465	White Diffused	154	120	3	20
		White	(0.285,0.28)	White Diffused	448	120	3	20

3 mm

Round Dual Color

L-317 Series



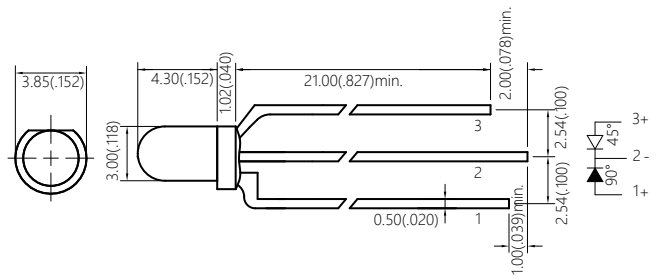
Unit : mm

Part No.	Ref. PN	Emitting Color	Wavelength λ_d (nm)/ CIE (x,y)	Resin Type	Typ. Luminous Intensity I_v (mcd)	Viewing Angle (deg.)	Typ. Forward Voltage V_F (V)	Forward Current I_F (mA)
L-317SRVG3W	LJR3SRVG3W763	Hyper Red	640	White Diffused	12	50	1.9	20
		Yellow Green	570	White Diffused	20	50	1.9	20
L-317EGW	LJR3EGW764	Super Red	628	White Diffused	20	50	1.9	20
		Yellow Green	570	White Diffused	18	50	1.9	20
L-317GYW	LJR3GYW765	Yellow	587	White Diffused	10	50	1.9	20
		Yellow Green	570	White Diffused	18	50	1.9	20

3 mm

Round Dual Color

L-319 Series



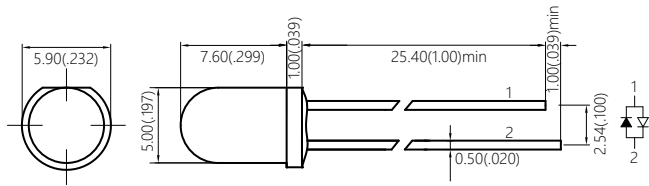
Unit : mm

Part No.	Ref. PN	Emitting Color	Wavelength λ_d (nm)/ CIE (x,y)	Resin Type	Typ. Luminous Intensity I_v (mcd)	Viewing Angle (deg.)	Typ. Forward Voltage V_F (V)	Forward Current I_F (mA)
L-319EGW	LJR3EGW756	Super Red	628	White Diffused	30	60	1.9	20
		Yellow Green	570	White Diffused	18	60	1.9	20
L-319GYW	LJR3GYW757	Yellow	587	White Diffused	15	60	2.1	20
		Yellow Green	570	White Diffused	18	60	1.9	20

5 mm

Round Dual Color

L-517 Series



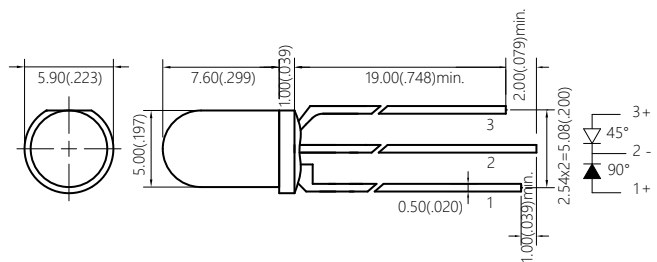
Unit : mm

Part No.	Ref. PN	Emitting Color	Wavelength λ_d (nm)/ CIE (x.y)	Resin Type	Typ. Luminous Intensity I_v (mcd)	Viewing Angle (deg.)	Typ. Forward Voltage V_F (V)	Forward Current I_F (mA)
L-517EGW	LJR5EGW759	Super Red	628	White Diffused	10	120	1.9	20
		Yellow Green	570	White Diffused	7	120	1.9	20
L-517UB5LY5W	LJR5UB5LY5W758	Yellow	587	White Diffused	300	120	1.9	20
		Blue	465	White Diffused	400	120	3	20
L-517GYW	LJR5GYW760	Yellow	587	White Diffused	5	120	2.1	20
		Yellow Green	570	White Diffused	10	120	1.9	20

5 mm

Round Dual Color

L-519 Series



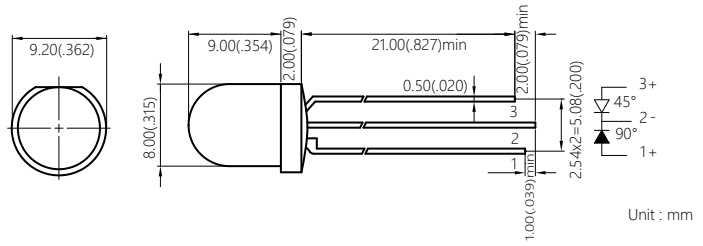
Unit : mm

Part No.	Ref. PN	Emitting Color	Wavelength λ_d (nm)/ CIE (x.y)	Resin Type	Typ. Luminous Intensity I_v (mcd)	Viewing Angle (deg.)	Typ. Forward Voltage V_F (V)	Forward Current I_F (mA)
L-519EYW	LJR5EYW748	Super Red	628	White Diffused	25	120	1.9	20
		Yellow	587	White Diffused	12	120	2.1	20
L-519EGW	LJR5EGW749	Super Red	628	White Diffused	20	120	1.9	20
		Yellow Green	570	White Diffused	10	120	2	20
L-519GYW	LJR5GYW750	Yellow	587	White Diffused	5	120	2.1	20
		Yellow Green	570	White Diffused	10	120	2	20
L519VEALPG6W	LTR5VEALPG6W171G	Super Red	628	White Diffused	290	120	1.9	20
		Green	525	White Diffused	920	120	3	20

8 mm

Round Dual Color

L-819 Series



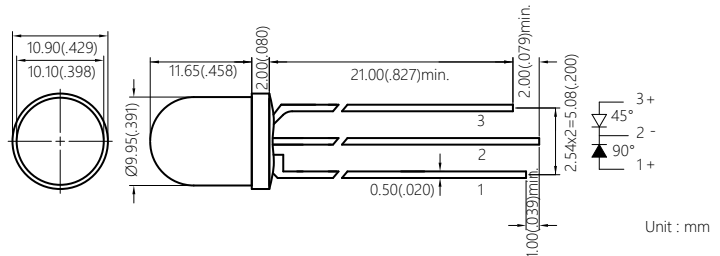
Unit : mm

Part No.	Ref. PN	Emitting Color	Wavelength λ_d (nm)/ CIE (x.y)	Resin Type	Typ. Luminous Intensity I_v (mcd)	Viewing Angle (deg.)	Typ. Forward Voltage V_F (V)	Forward Current I_F (mA)
L-819EGW	LJR8EGW746	Super Red	628	White Diffused	25	140	1.9	20
		Yellow Green	570	White Diffused	20	140	1.9	20
L-819GYW	LJR8GYW747	Yellow	587	White Diffused	15	140	2.1	20
		Yellow Green	570	White Diffused	20	140	2	20

10 mm

Round Dual Color

L-839 Series



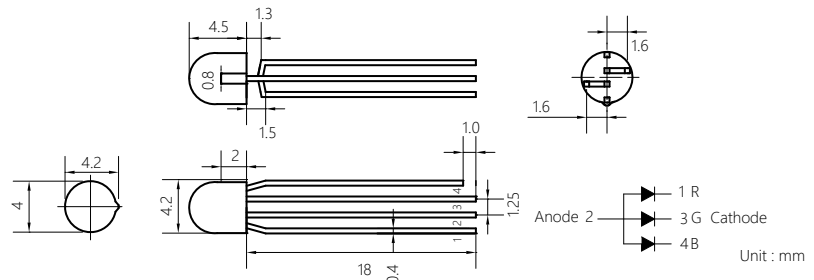
Unit : mm

Part No.	Ref. PN	Emitting Color	Wavelength λ_d (nm)/ CIE (x.y)	Resin Type	Typ. Luminous Intensity I_v (mcd)	Viewing Angle (deg.)	Typ. Forward Voltage V_F (V)	Forward Current I_F (mA)
L-839EYW	LJR8EYW743	Super Red	628	White Diffused	20	120	1.9	20
		Yellow	587	White Diffused	8	120	2.1	20
L-839EGW	LJR8EGW744	Super Red	628	White Diffused	20	120	1.9	20
		Yellow Green	570	White Diffused	12	120	1.9	20
L-839GYW	LJR8GYW745	Yellow	587	White Diffused	7	120	2.1	20
		Yellow Green	570	White Diffused	10	120	1.9	20

4 mm

Round RGB

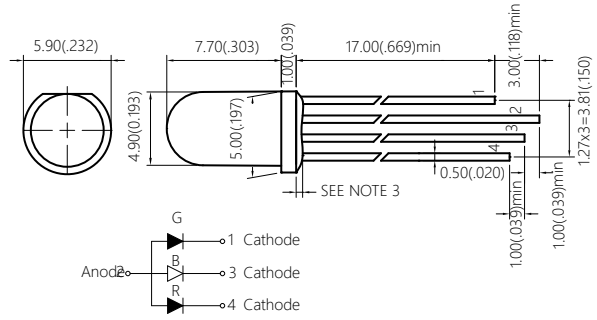
L-4X9 Series



Unit : mm

Part No.	Ref. PN	Emitting Color	Wavelength λ_d (nm)/ CIE (x.y)	Resin Type	Typ. Luminous Intensity I_v (mcd)	Viewing Angle (deg.)	Typ. Forward Voltage V_F (V)	Forward Current I_F (mA)
L4X9RGBW	LOR4RGBW341G	Super Red	628	White Diffused	80	20	1.9	20
		Green	525	White Diffused	250	20	3	20
		Blue	465	White Diffused	45	20	3	20

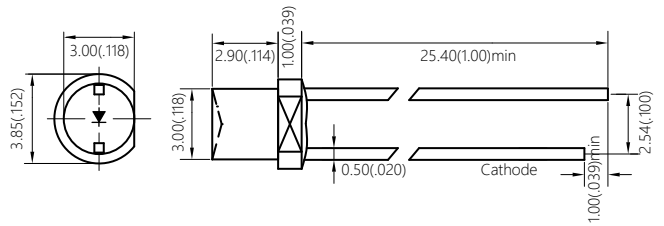
5 mm Round RGB L-5TB Series



Unit : mm

Part No.	Ref. PN	Emitting Color	Wavelength λ_d (nm)/ CIE (x.y)	Resin Type	Typ. Luminous Intensity I_v (mcd)	Viewing Angle (deg.)	Typ. Forward Voltage V_f (V)	Forward Current I_f (mA)
L5T8RGBC	LQR5RGBC001G	Super Red	628	Water Clear	3600	30	1.9	20
		Green	525	Water Clear	5600	30	3	20
		Blue	465	Water Clear	1300	30	3	20

3 mm Cylindrical L-334 Series



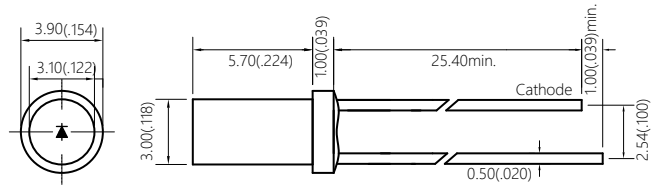
Unit : mm

Part No.	Ref. PN	Emitting Color	Wavelength λ_d (nm)/ CIE (x.y)	Resin Type	Typ. Luminous Intensity I_v (mcd)	Viewing Angle (deg.)	Typ. Forward Voltage V_f (V)	Forward Current I_f (mA)
L-334GD	LJR3GD976	Yellow Green	570	Green Diffused	2	150	1.9	20
L-334YD	LJR3YD975	Yellow	587	Yellow Diffused	0.8	150	2.1	20
L-334AD	LJR3AD977	Orange	605	Orange Diffused	4	150	2.1	20
L-334ED	LJR3ED974	Super Red	628	Red Diffused	15	150	1.9	20
L-334SRD	LJR3SRD973	Hyper Red	640	Red Diffused	20	150	1.9	20

3 mm

Cylindrical

L-3N4 Series



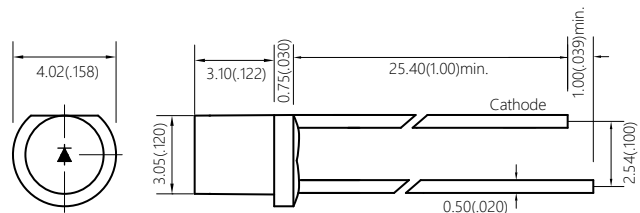
Unit : mm

Part No.	Ref. PN	Emitting Color	Wavelength λ_d (nm)/ CIE (x.y)	Resin Type	Typ. Luminous Intensity I_v (mcd)	Viewing Angle (deg.)	Typ. Forward Voltage V_F (V)	Forward Current I_F (mA)
L-3N4GD	LJR3GD965	Yellow Green	570	Green Diffused	6	150	1.9	20
L-3N4YD	LJR3YD964	Yellow	587	Yellow Diffused	4	150	2.1	20
L-3N4ED	LJR3ED963	Super Red	628	Red Diffused	10	150	1.9	20
L-3N4SRD	LJR3SRD962	Hyper Red	640	Red Diffused	20	150	1.9	20

3 mm

Cylindrical

L-6V4 Series



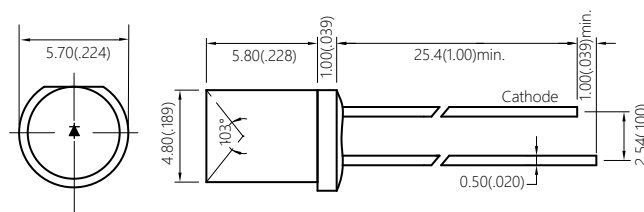
Unit : mm

Part No.	Ref. PN	Emitting Color	Wavelength λ_d (nm)/ CIE (x.y)	Resin Type	Typ. Luminous Intensity I_v (mcd)	Viewing Angle (deg.)	Typ. Forward Voltage V_F (V)	Forward Current I_F (mA)
L-6V4GD	LJR3GD845	Yellow Green	570	Green Diffused	12	110	1.9	20
L-6V4YD	LJR3YD844	Yellow	587	Yellow Diffused	10	110	2.1	20
L-6V4AD	LJS3AD846	Orange	605	Orange Diffused	10	110	2.1	20
L-6V4ED	LJR3ED843	Super Red	628	Red Diffused	15	110	1.9	20

5 mm

Cylindrical

L-553 Series



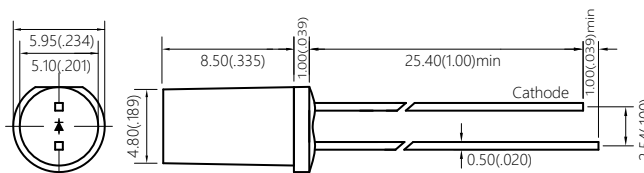
Unit : mm

Part No.	Ref. PN	Emitting Color	Wavelength λ_d (nm)/ CIE (x,y)	Resin Type	Typ. Luminous Intensity I_v (mcd)	Viewing Angle (deg.)	Typ. Forward Voltage V_f (V)	Forward Current I_f (mA)
L-5547UB5C	LJR5UB5C894	Blue	465	Water Clear	120	120	3.0	20
L-553GD	LJR5GD898	Yellow Green	570	Green Diffused	12	150	1.9	20
L-553YD	LJR5YD897	Yellow	587	Yellow Diffused	0.8	150	2.1	20
L-553AD	LJR5AD899	Orange	605	Orange Diffused	3	150	2.1	20
L-553ED	LJR5ED896	Super Red	628	Red Diffused	3	150	1.9	20
L-553SRD	LJR5SRD895	Hyper Red	640	Red Diffused	4	150	1.9	20

5 mm

Cylindrical

L-573 Series



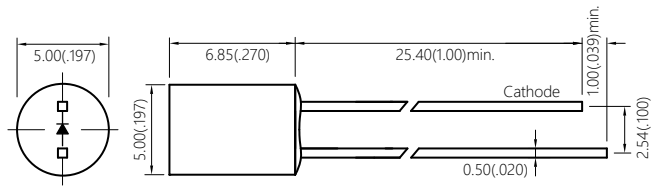
Unit : mm

Part No.	Ref. PN	Emitting Color	Wavelength λ_d (nm)/ CIE (x,y)	Resin Type	Typ. Luminous Intensity I_v (mcd)	Viewing Angle (deg.)	Typ. Forward Voltage V_f (V)	Forward Current I_f (mA)
L-573GD	LJR5GD892	Yellow Green	570	Green Diffused	5	150	1.9	20
L-573YD	LJR5YD891	Yellow	587	Yellow Diffused	4	150	2.1	20
L-573EAD	LJR5AD893	Orange	605	Orange Diffused	10	150	2.1	20
L-573ED	LJR5ED890	Super Red	628	Red Diffused	10	150	1.9	20
L-573SRD	LJR5SRD889	Hyper Red	640	Red Diffused	15	150	1.9	20

5 mm

Cylindrical

L-5C3 Series



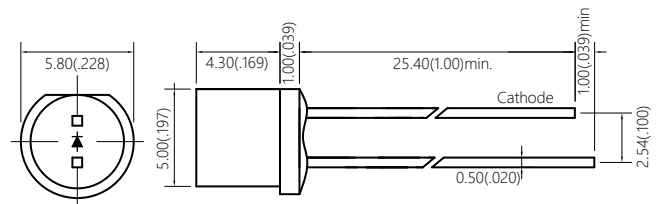
Unit : mm

Part No.	Ref. PN	Emitting Color	Wavelength λ_d (nm)/ CIE (x.y)	Resin Type	Typ. Luminous Intensity I_v (mcd)	Viewing Angle (deg.)	Typ. Forward Voltage V_F (V)	Forward Current I_F (mA)
L-5C3GD	LJR5GD881	Yellow Green	570	Green Diffused	5	150	1.9	20
L-5C3YD	LJR5YD880	Yellow	587	Yellow Diffused	4	150	2.1	20
L-5C3ED	LJR5ED879	Super Red	628	Red Diffused	10	150	1.9	20
L-5C3SRD	LJR5SRD878	Hyper Red	640	Red Diffused	15	150	1.9	20

5 mm

Cylindrical

L-5N3 Series



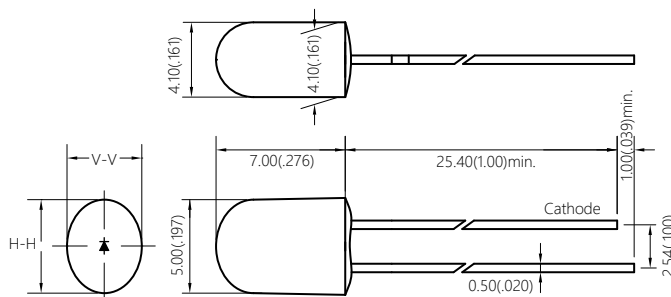
Unit : mm

Part No.	Ref. PN	Emitting Color	Wavelength λ_d (nm)/ CIE (x.y)	Resin Type	Typ. Luminous Intensity I_v (mcd)	Viewing Angle (deg.)	Typ. Forward Voltage V_F (V)	Forward Current I_F (mA)
L-5N47UB5C	LJR5UB5C869	Blue	465	Water Clear	500	100	3	20
L-5N47LPG6C	LJR5LPG6C870	Green	525	Water Clear	1500	100	3	20
L-5N3GD	LJR5GD874	Yellow Green	570	Green Diffused	6	150	1.9	20
L-5N3YD	LJR5YD873	Yellow	587	Yellow Diffused	4	150	2.1	20
L-5N3ED	LJR5ED872	Super Red	628	Red Diffused	12	150	1.9	20
L-5N3SRD	LJR5SR5D871	Hyper Red	640	Red Diffused	10	150	1.9	20

5 x 4 mm

Oval

L-7Q3 Series



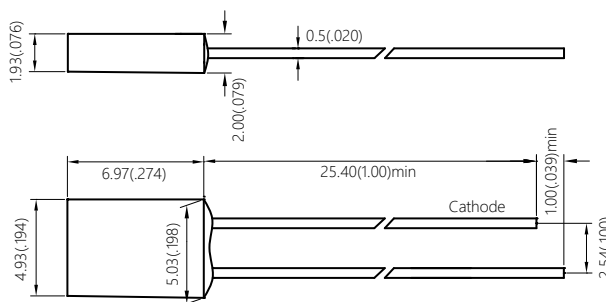
Unit : mm

Part No.	Ref. PN	Emitting Color	Wavelength λ_d (nm)/ CIE (x,y)	Resin Type	Typ. Luminous Intensity I_v (mcd)	Viewing Angle (deg.)	Typ. Forward Voltage V_F (V)	Forward Current I_F (mA)
L-7Q3UB5C	LJE5UB5C824	Blue	465	Water Clear	1700	45/25	3	20
L-7Q3VG3C	LJE5VG3C825	Yellow Green	570	Water Clear	800	45/25	1.9	20
L-7Q3VYAC	LJE5VYAC826	Yellow	587	Water Clear	2500	45/25	1.9	20
L-7Q3VEAC	LJE5VEAC827	Super Red	628	Water Clear	2500	45/25	1.9	20

2 x 5 x 7 mm

Rectangular

L-403 Series



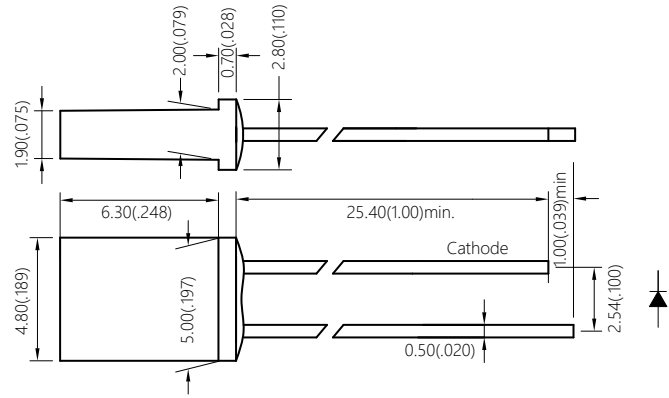
Unit : mm

Part No.	Ref. PN	Emitting Color	Wavelength λ_d (nm)/ CIE (x,y)	Resin Type	Typ. Luminous Intensity I_v (mcd)	Viewing Angle (deg.)	Typ. Forward Voltage V_F (V)	Forward Current I_F (mA)
L-403GD	LJS5GD954	Yellow Green	570	Green Diffused	10	120	1.9	20
L-403YD	LJS5YD953	Yellow	587	Yellow Diffused	5	120	2.1	20
L-403AD	LJS5AD955	Orange	605	Orange Diffused	6	120	2.1	20
L-403ED	LJS5ED952	Super Red	628	Red Diffused	12	120	1.9	20
L-403SRD	LJS5SRD951	Hyper Red	640	Red Diffused	40	120	1.9	20

2 x 5 x 7 mm

Rectangular

L-413 Series



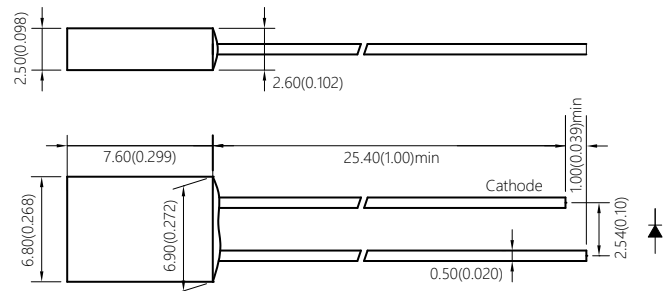
Unit : mm

Part No.	Ref. PN	Emitting Color	Wavelength λ_c (nm)/ CIE (x.y)	Resin Type	Typ. Luminous Intensity I_v (mcd)	Viewing Angle (deg.)	Typ. Forward Voltage V_F (V)	Forward Current I_F (mA)
L-413GD	LJS5GD945	Yellow Green	570	Green Diffused	12	120	1.9	20
L-413YD	LJS5YD948	Yellow	587	Yellow Diffused	2.5	120	2.1	20
L-413AD	LJS5AD9949	Orange	605	Orange Diffused	8	120	2.1	20
L-413ED	LJS5ED947	Super Red	628	Red Diffused	8	120	1.9	20
L-413SRD	LJS5SRD946	Hyper Red	640	Red Diffused	15	120	1.9	20

2.5 x 7.0 x 7.5 mm

Rectangular

L-423 Series



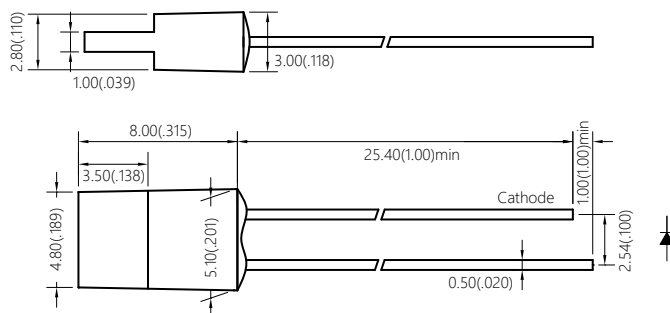
Unit : mm

Part No.	Ref. PN	Emitting Color	Wavelength λ_c (nm)/ CIE (x.y)	Resin Type	Typ. Luminous Intensity I_v (mcd)	Viewing Angle (deg.)	Typ. Forward Voltage V_F (V)	Forward Current I_F (mA)
L-423GD	LJS7GD943	Yellow Green	570	Green Diffused	6	110	1.9	20
L-423YD	LJS7YD942	Yellow	587	Yellow Diffused	5	110	2.1	20
L-423AD	LJS7AD944	Orange	605	Orange Diffused	5	110	2.1	20
L-423ED	LJS7ED941	Super Red	628	Red Diffused	6	110	1.9	20
L-423SRD	LJS7SRD940	Hyper Red	640	Red Diffused	15	110	1.9	20

1 x 5 x 8 mm

Rectangular

L-443 Series



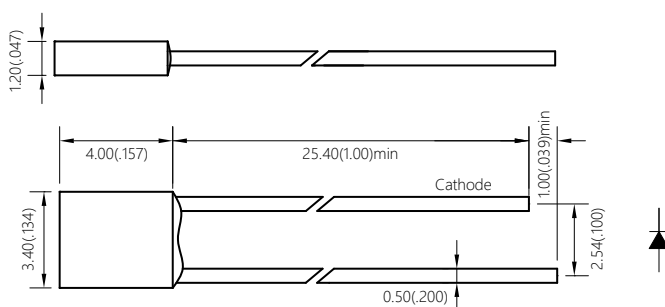
Unit : mm

Part No.	Ref. PN	Emitting Color	Wavelength λ_d (nm)/ CIE (x,y)	Resin Type	Typ. Luminous Intensity I_v (mcd)	Viewing Angle (deg.)	Typ. Forward Voltage V_F (V)	Forward Current I_F (mA)
L-443GD	LJS4GD938	Yellow Green	570	Green Diffused	5	120	2	20
L-443YD	LJS4YD937	Yellow	587	Yellow Diffused	2	120	2.1	20
L-443AD	LJS4AD939	Orange	605	Orange Diffused	8	120	2.1	20
L-443ED	LJS4ED936	Super Red	628	Red Diffused	8	120	1.9	20
L-443SRD	LJS4SRD935	Hyper Red	640	Red Diffused	15	120	1.9	20

1.2 x 3.4 x 4.0 mm

Rectangular

L-454 Series



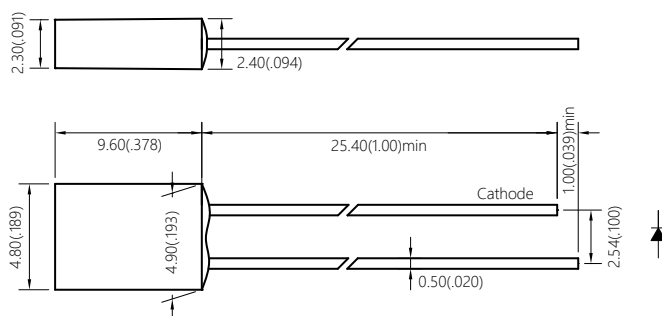
Unit : mm

Part No.	Ref. PN	Emitting Color	Wavelength λ_d (nm)/ CIE (x,y)	Resin Type	Typ. Luminous Intensity I_v (mcd)	Viewing Angle (deg.)	Typ. Forward Voltage V_F (V)	Forward Current I_F (mA)
L-454GD	LJS3GD933	Yellow Green	570	Green Diffused	8	150	1.9	20
L-454YD	LJS3YD932	Yellow	587	Yellow Diffused	6	150	2.1	20
L-454AD	LJS3AD934	Orange	605	Orange Diffused	5	150	2.1	20
L-454ED	LJS3ED931	Super Red	628	Red Diffused	3	150	1.9	20
L-454SRD	LJS3SRD930	Hyper Red	640	Red Diffused	20	150	1.9	20

2.0 x 4.8 x 9.6 mm

Rectangular

L-463 Series



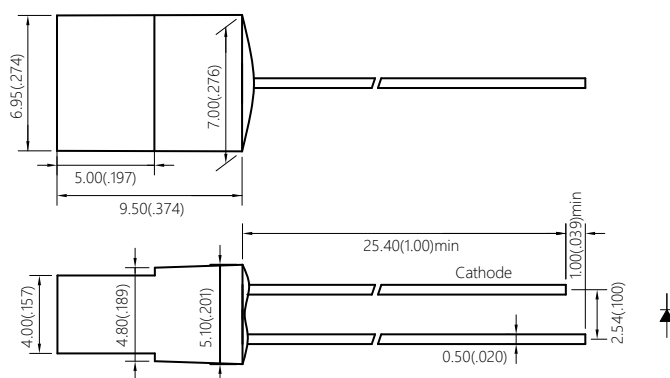
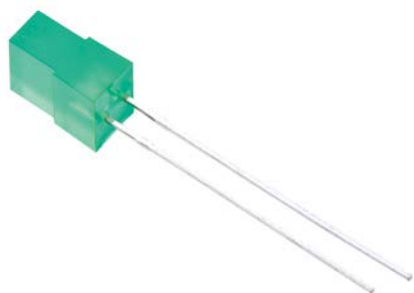
Unit : mm

Part No.	Ref. PN	Emitting Color	Wavelength λ_d (nm)/ CIE (x.y)	Resin Type	Typ. Luminous Intensity I_v (mcd)	Viewing Angle (deg.)	Typ. Forward Voltage V_F (V)	Forward Current I_F (mA)
L-463GD	LJS5GD928	Yellow Green	570	Green Diffused	10	120	1.9	20
L-463YD	LJS5YD927	Yellow	587	Yellow Diffused	5	120	2.1	20
L-463AD	LJS5AD929	Orange	605	Orange Diffused	8	120	2.1	20
L-463ED	LJS5ED926	Super Red	628	Red Diffused	20	120	1.9	20
L-463SRD	LJS5SRD925	Hyper Red	640	Red Diffused	40	120	1.9	20

4.0 x 7.0 x 9.5 mm

Rectangular

L-473 Series



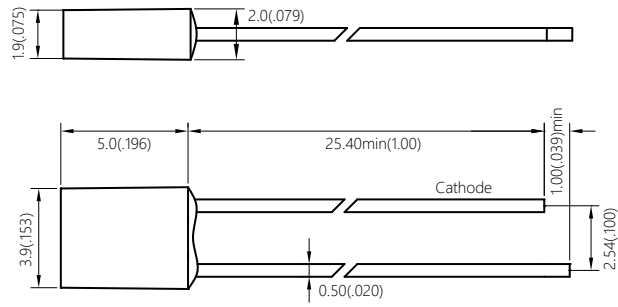
Unit : mm

Part No.	Ref. PN	Emitting Color	Wavelength λ_d (nm)/ CIE (x.y)	Resin Type	Typ. Luminous Intensity I_v (mcd)	Viewing Angle (deg.)	Typ. Forward Voltage V_F (V)	Forward Current I_F (mA)
L-473GD	LJS4GD925	Yellow Green	570	Green Diffused	5	150	1.9	20
L-473YD	LJS4YD924	Yellow	587	Yellow Diffused	4	150	2.1	20
L-473AD	LJS4AD926	Orange	605	Orange Diffused	5	150	2.1	20
L-473ED	LJS4ED923	Super Red	628	Red Diffused	20	150	1.9	20
L-473SRD	LJS4SRD922	Hyper Red	640	Red Diffused	50	150	1.9	20

2 x 4 x 5 mm

Rectangular

L-4L3 Series



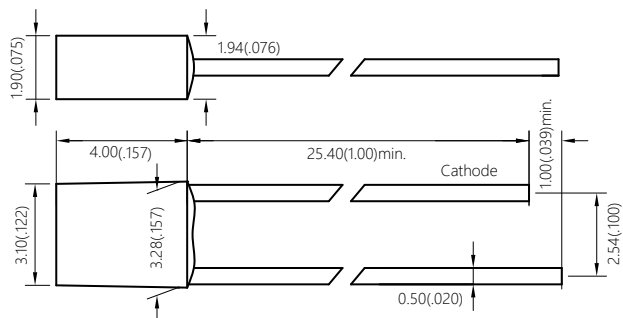
Unit : mm

Part No.	Ref. PN	Emitting Color	Wavelength λ_d (nm)/ CIE (x,y)	Resin Type	Typ. Luminous Intensity I_v (mcd)	Viewing Angle (deg.)	Typ. Forward Voltage V_f (V)	Forward Current I_f (mA)
L-4L3GD	LJS7GD920	Yellow Green	570	Green Diffused	3	120	1.9	20
L-4L3YD	LJS7YD919	Yellow	587	Yellow Diffused	5	120	2.1	20
L-4L3AD	LJS7AD921	Orange	605	Orange Diffused	5	120	2.1	20
L-4L3ED	LJS7ED918	Super Red	628	Red Diffused	7	120	1.9	20
L-4L3SRD	LJS7SRD917	Hyper Red	640	Red Diffused	30	120	1.9	20

1.9 x 3.1 x 4.0 mm

Rectangular

L-604 Series



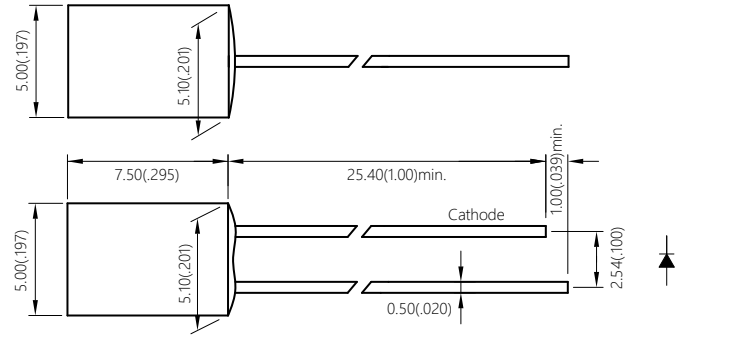
Unit : mm

Part No.	Ref. PN	Emitting Color	Wavelength λ_d (nm)/ CIE (x,y)	Resin Type	Typ. Luminous Intensity I_v (mcd)	Viewing Angle (deg.)	Typ. Forward Voltage V_f (V)	Forward Current I_f (mA)
L-604GD	LJS3GD867	Yellow Green	570	Green Diffused	6	150	1.9	20
L-604YD	LJS3YD866	Yellow	587	Yellow Diffused	5	150	2.1	20
L-604AD	LJS3AD868	Orange	605	Orange Diffused	10	150	2.1	20
L-604ED	LJS3ED865	Super Red	628	Red Diffused	18	150	1.9	20
L-604SRD	LJS3SRD864	Hyper Red	640	Red Diffused	10	150	1.9	20

5 x 5 x 7 mm

Rectangular

L-663 Series



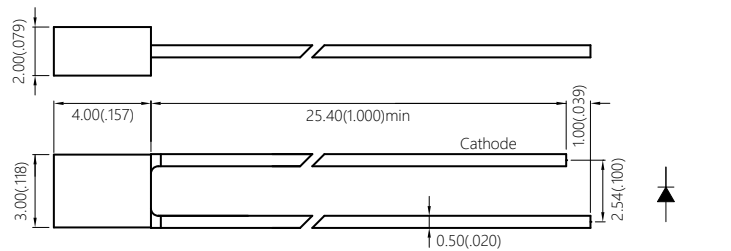
Unit : mm

Part No.	Ref. PN	Emitting Color	Wavelength λ_d (nm)/ CIE (x.y)	Resin Type	Typ. Luminous Intensity I_v (mcd)	Viewing Angle (deg.)	Typ. Forward Voltage V_F (V)	Forward Current I_F (mA)
L-663GD	LJS4GD856	Yellow Green	570	Green Diffused	13	150	1.9	20
L-663YD	LJS4YD855	Yellow	587	Yellow Diffused	4	150	2.1	20
L-663ED	LJS4ED854	Super Red	628	Red Diffused	6	150	1.9	20
L-663SRD	LJS4SRD853	Hyper Red	640	Red Diffused	10	150	1.9	20

2 x 3 x 4 mm

Rectangular

L-6U4 Series



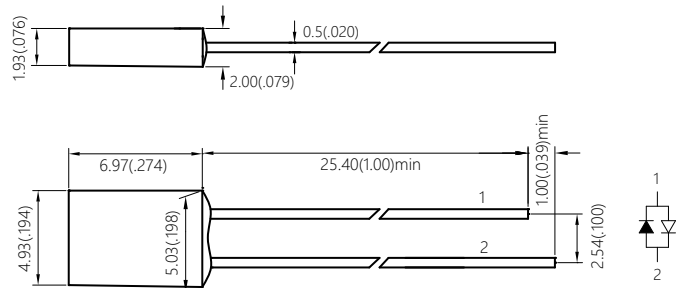
Unit : mm

Part No.	Ref. PN	Emitting Color	Wavelength λ_d (nm)/ CIE (x.y)	Resin Type	Typ. Luminous Intensity I_v (mcd)	Viewing Angle (deg.)	Typ. Forward Voltage V_F (V)	Forward Current I_F (mA)
L-6U4GD	LJS3GD851	Yellow Green	570	Green Diffused	6	150	1.9	20
L-6U4YD	LJS3YD850	Yellow	587	Yellow Diffused	4	150	2.1	20
L-6U4AD	LJS3AD852	Orange	605	Orange Diffused	10	150	2.1	20
L-6U4ED	LJS3ED849	Super Red	628	Red Diffused	10	150	1.9	20
L-6U4SRD	LJS3SRD848	Hyper Red	640	Red Diffused	24	150	1.9	20

2 x 5 x 7 mm

Rectangular Dual Color

L-407 Series



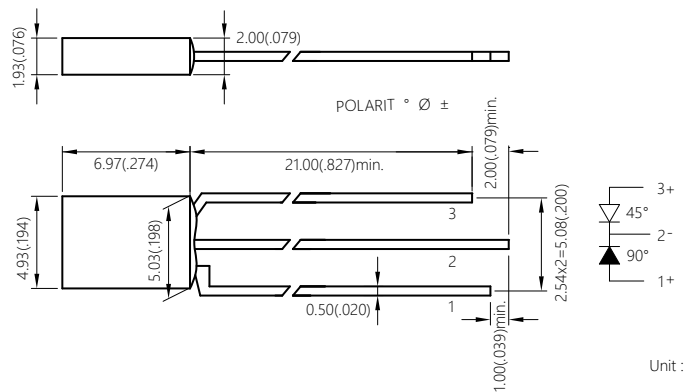
Unit : mm

Part No.	Ref. PN	Emitting Color	Wavelength λ_d (nm)/ CIE (x.y)	Resin Type	Typ. Luminous Intensity I_v (mcd)	Viewing Angle (deg.)	Typ. Forward Voltage V_f (V)	Forward Current I_f (mA)
L-407EGW	LJS5EGW761	Super Red	628	White Diffused	3.5	120	1.9	20
		Yellow Green	570	White Diffused	2.5	120	1.9	20
L-407GYW	LJS5GYW762	Yellow	587	White Diffused	1.5	120	2.1	20
		Yellow Green	570	White Diffused	2.5	120	2	20

2 x 5 x 7 mm

Rectangular Dual Color

L-409 Series



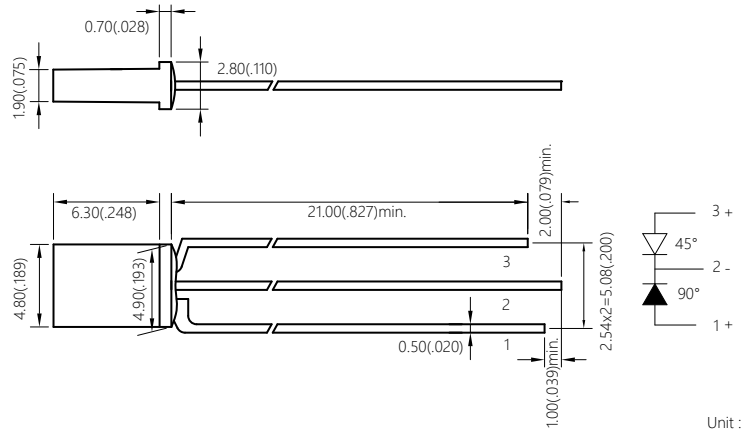
Unit : mm

Part No.	Ref. PN	Emitting Color	Wavelength λ_d (nm)/ CIE (x.y)	Resin Type	Typ. Luminous Intensity I_v (mcd)	Viewing Angle (deg.)	Typ. Forward Voltage V_f (V)	Forward Current I_f (mA)
L-409EGW	LJS5EGW754	Super Red	628	White Diffused	20	120	1.9	20
		Yellow Green	570	White Diffused	10	120	1.9	20
L-409GYW	LJS5GYW755	Yellow	587	White Diffused	5	120	2.1	20
		Yellow Green	570	White Diffused	10	120	1.9	20
L-409GYW-CA1	LJS5GYW756	Yellow	587	White Diffused	3	120	2.1	20
		Yellow Green	570	White Diffused	2	120	1.9	20

2 x 5 x 7 mm

Rectangular Dual Color

L-419 Series



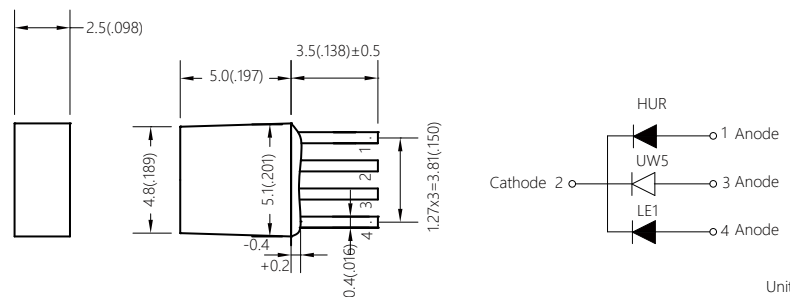
Unit : mm

Part No.	Ref. PN	Emitting Color	Wavelength λ_d (nm)/ CIE (x,y)	Resin Type	Typ. Luminous Intensity I_v (mcd)	Viewing Angle (deg.)	Typ. Forward Voltage V_F (V)	Forward Current I_F (mA)
L-419EGW	LJS5EGW751	Super Red	628	White Diffused	8	120	1.9	20
		Yellow Green	570	White Diffused	6	120	1.9	20
L-419GYW	LJS5GYW752	Yellow	587	White Diffused	5	120	2.1	20
		Yellow Green	570	White Diffused	6	120	1.9	20
L-419GYW-CA1	LJS5GYW753	Yellow	587	White Diffused	10	120	2.1	20
		Yellow Green	570	White Diffused	15	120	1.9	20

2 x 5 x 7 mm

Rectangular RGB

L-4V9 Series



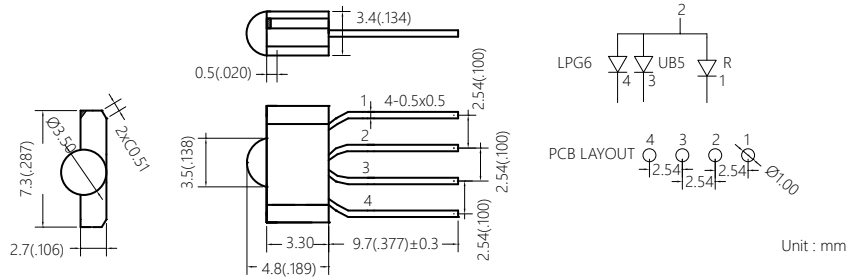
Unit : mm

Part No.	Ref. PN	Emitting Color	Wavelength λ_d (nm)/ CIE (x,y)	Resin Type	Typ. Luminous Intensity I_v (mcd)	Viewing Angle (deg.)	Typ. Forward Voltage V_F (V)	Forward Current I_F (mA)
L4V9RGB	LRS4HURLE1UW5C307G	Super Red	628	Water Clear	80	100	1.9	20
		Orange	605	Water Clear	100	100	1.9	20
		White	(0.26,0.24)	Water Clear	760	100	3	20

3.5 x 4.8 x 7.3 mm

Rectangular RGB

L-889 Series



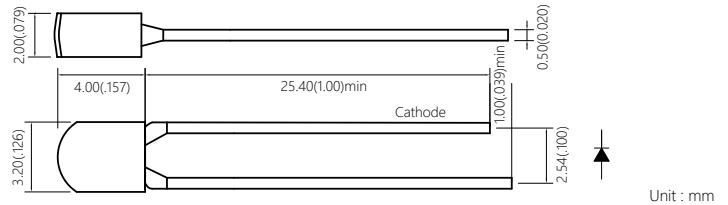
Unit : mm

Part No.	Ref. PN	Emitting Color	Wavelength λ_d (nm)/ CIE (x,y)	Resin Type	Typ. Luminous Intensity I_v (mcd)	Viewing Angle (deg.)	Typ. Forward Voltage V_f (V)	Forward Current I_f (mA)
L889RGBW	LQS8RGBW538G	Super Red	628	White Diffused	40	40	1.8	5
		Green	530	White Diffused	250	40	2.7	5
		Blue	470	White Diffused	40	40	2.7	5

2.0 x 3.2 x 4.0 mm

Tombstone

L-6X4 Series



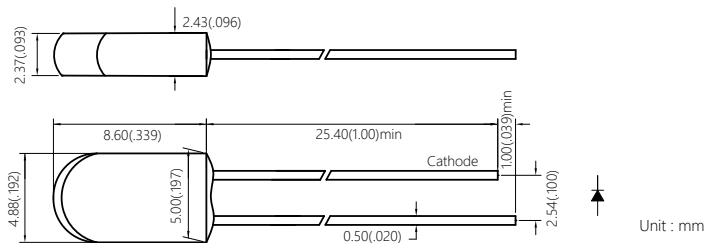
Unit : mm

Part No.	Ref. PN	Emitting Color	Wavelength λ_d (nm)/ CIE (x,y)	Resin Type	Typ. Luminous Intensity I_v (mcd)	Viewing Angle (deg.)	Typ. Forward Voltage V_f (V)	Forward Current I_f (mA)
L-6X4GD	LJS4GD840	Yellow Green	570	Green Diffused	15	150	1.9	20
L-6X4YD	LJS4YD839	Yellow	587	Yellow Diffused	10	150	2.1	20
L-6X4AD	LJS4AD841	Orange	605	Orange Diffused	12	150	2.1	20
L-6X4ED	LJS4ED838	Super Red	628	Red Diffused	18	150	1.9	20
L-6X4SRD	LJS4SRD837	Hyper Red	640	Red Diffused	36	150	1.9	20

2.4 x 4.9 x 8.6 mm

Tombstone

L-614 Series



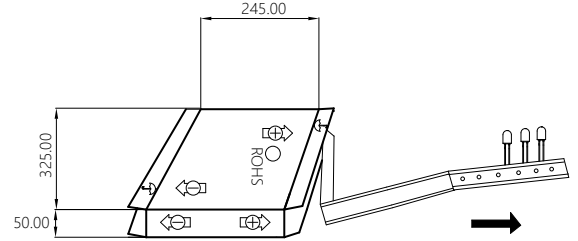
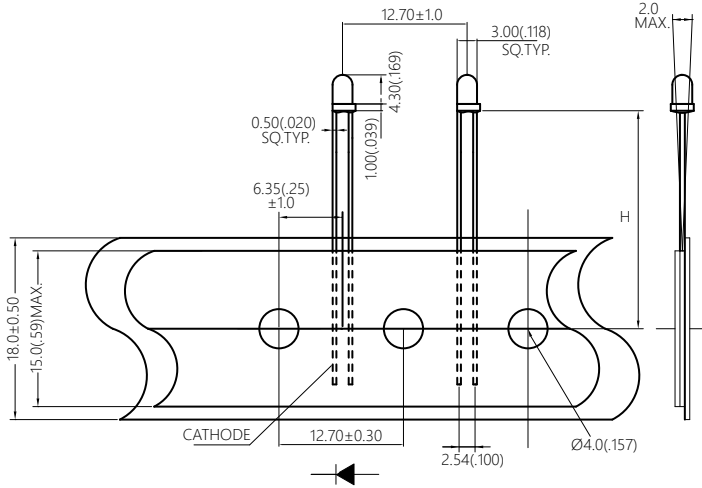
Unit : mm

Part No.	Ref. PN	Emitting Color	Wavelength λ_d (nm)/ CIE (x,y)	Resin Type	Typ. Luminous Intensity I_v (mcd)	Viewing Angle (deg.)	Typ. Forward Voltage V_f (V)	Forward Current I_f (mA)
L-614GD	LJS5GD862	Yellow Green	570	Green Diffused	3	170	1.9	20
L-614YD	LJS5YD861	Yellow	587	Yellow Diffused	2	170	2.1	20
L-614AD	LJS5AD863	Orange	605	Orange Diffused	5	170	2.1	20
L-614ED	LJS5ED860	Super Red	628	Red Diffused	4	170	1.9	20
L-614SRD	LJS5SRD859	Hyper Red	640	Red Diffused	20	170	1.9	20

3 mm

Taping Lamp

L-314-TBSH Series



Unit : mm

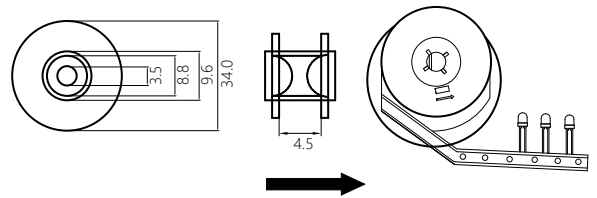
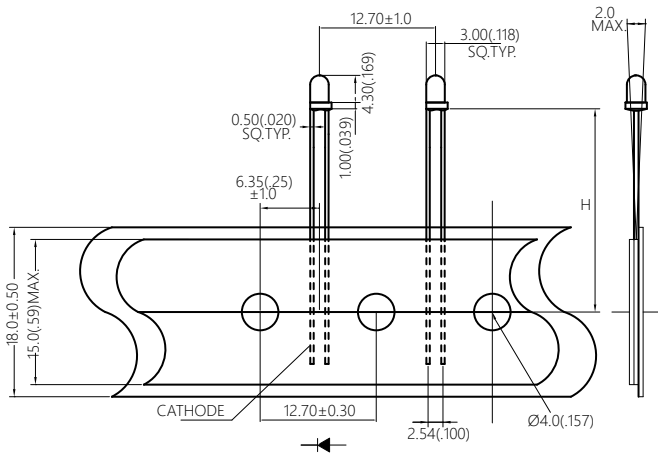
Part NO	H
L-314XX-TBS 180	18.0mm
L-314XX-TBS 190	19.0mm
L-314XX-TBS 200	20.0mm
L-314XX-TBS 220	22.0mm
L-314XX-TBS 240	24.0mm

Part No.	Ref. PN	Emitting Color	Wavelength λ_d (nm)/ CIE (x,y)	Resin Type	Typ. Luminous Intensity I_v (mcd)	Viewing Angle (deg.)	Typ. Forward Voltage V_F (V)	Forward Current I_F (mA)
L-314UB5C-TBSH	LJR3UB5C738	Blue	465	Water Clear	2000	20	3	20
L-314LPG6C-TBSH	LJR3LPG6C983	Green	525	Water Clear	5000	20	3	20
L-314GD-TBSH	LJR3GD742	Yellow Green	570	Green Diffused	30	60	1.9	20
L-314YD-TBSH	LJR3YD741	Yellow	587	Yellow Diffused	20	60	2.1	20
L-314ED-TBSH	LJR3ED740	Super Red	628	Red Diffused	30	60	1.9	20

3 mm

Taping Lamp

L-314-TRSH Series

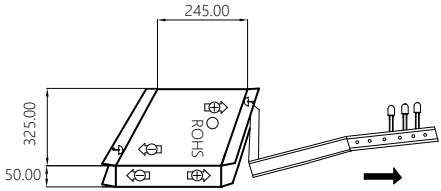
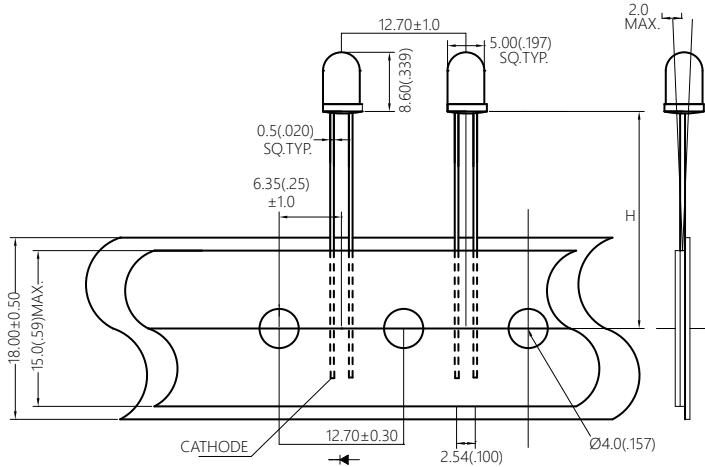


Unit : mm

Part NO	H
L-314XX-TRS 180	18.0mm
L-314XX-TRS 190	19.0mm
L-314XX-TRS 200	20.0mm
L-314XX-TRS 220	22.0mm
L-314XX-TRS 240	24.0mm

Part No.	Ref. PN	Emitting Color	Wavelength λ_d (nm)/ CIE (x,y)	Resin Type	Typ. Luminous Intensity I_v (mcd)	Viewing Angle (deg.)	Typ. Forward Voltage V_F (V)	Forward Current I_F (mA)
L-314UB5C-TRSH	LJR3UB5C733	Blue	465	Water Clear	2000	20	3	20
L-314LPG6C-TRSH	LJR3LPG6C738	Green	525	Water Clear	5000	20	3	20
L-314GD-TRSH	LJR3GD737	Yellow Green	570	Green Diffused	30	60	1.9	20
L-314YD-TRSH	LJR3YD736	Yellow	587	Yellow Diffused	20	60	2.1	20
L-314ED-TRSH	LJR3ED735	Super Red	628	Red Diffused	30	60	1.9	20

5 mm Taping Lamp L-513-TBSH Series

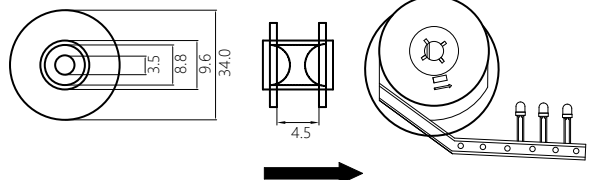
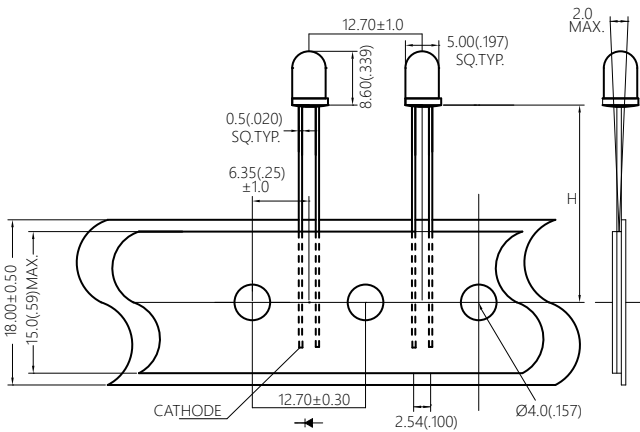


Unit : mm

Part NO	H
L-513XX-TBS 180	18.0mm
L-513XX-TBS 190	19.0mm
L-513XX-TBS 200	20.0mm
L-513XX-TBS 220	22.0mm
L-513XX-TBS 240	24.0mm

Part No.	Ref. PN	Emitting Color	Wavelength λ_d (nm)/ CIE (x.y)	Resin Type	Typ. Luminous Intensity I_v (mcd)	Viewing Angle (deg.)	Typ. Forward Voltage V_F (V)	Forward Current I_F (mA)
L-513GD-TBSH	LJR5GD731	Yellow Green	570	Green Diffused	20	110	2	20
L-513YD-TBSH	LJR5YD730	Yellow	587	Yellow Diffused	15	110	2.1	20
L-513ED-E610-TBSH	LJR5AD732	Orange	605	Orange Diffused	20	110	2.1	20
L-513ED-TBSH	LJR5ED729	Super Red	628	Red Diffused	20	110	2.1	20
L-513SRD-TBSH	LJR5SRD728	Hyper Red	640	Red Diffused	40	110	1.8	20

5 mm Taping Lamp L-513-TRSH Series



Unit : mm

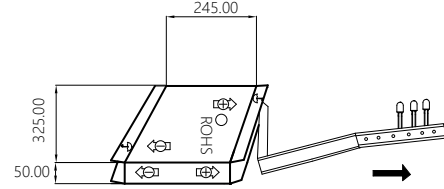
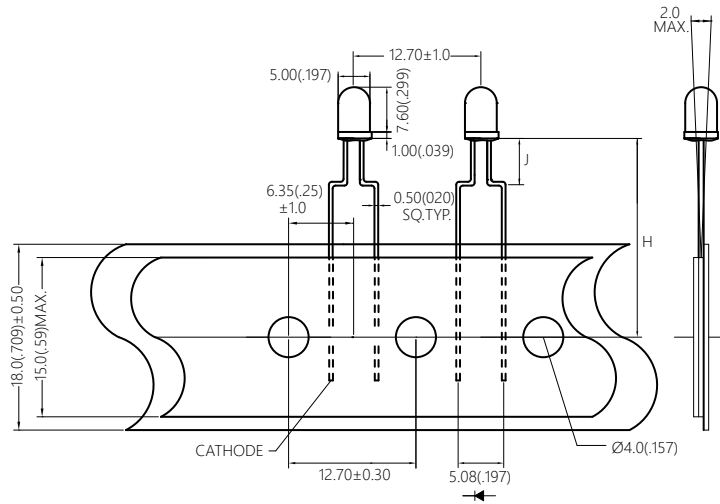
Part NO	H
L-513XX-TRS 180	18.0mm
L-513XX-TRS 190	19.0mm
L-513XX-TRS 200	20.0mm
L-513XX-TRS 220	22.0mm
L-513XX-TRS 240	24.0mm

Part No.	Ref. PN	Emitting Color	Wavelength λ_d (nm)/ CIE (x.y)	Resin Type	Typ. Luminous Intensity I_v (mcd)	Viewing Angle (deg.)	Typ. Forward Voltage V_F (V)	Forward Current I_F (mA)
L-513GD-TRSH	LJR5GD726	Yellow Green	570	Green Diffused	28	60	1.9	20
L-513YD-TRSH	LJR5YD725	Yellow	587	Yellow Diffused	35	60	2.1	20
L-513AD-TRSH	LJR5AD727	Orange	605	Orange Diffused	15	60	2.1	20
L-513ED-TRSH	LJR5ED724	Super Red	628	Red Diffused	30	60	1.9	20
L-513SRD-TRSH	LJR5SRD723	Hyper Red	640	Red Diffused	40	60	1.9	20

5 mm

Taping Lamp

L-513-TBFHJ Series



Unit : mm

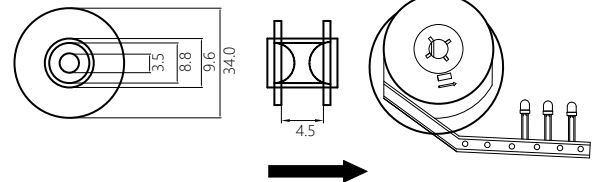
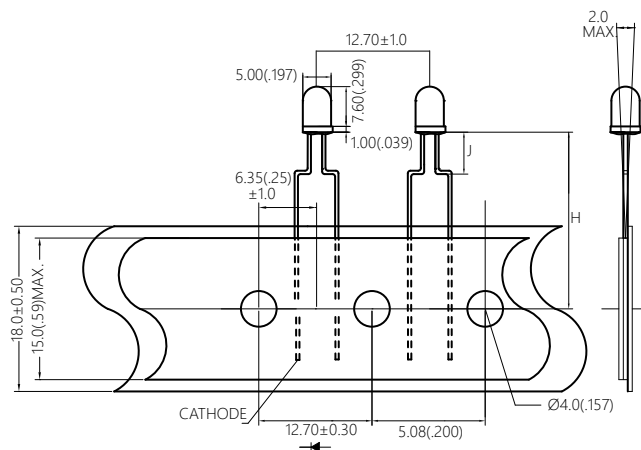
Part NO	H	J
L-513XX-TBF 180A	18.0mm	3.0mm
L-513XX-TBF 190B	19.0mm	4.0mm
L-513XX-TBF 200C	20.0mm	5.0mm
L-513XX-TBF 220D	22.0mm	6.0mm
L-513XX-TBF 240E	24.0mm	7.0mm

Part No.	Ref. PN	Emitting Color	Wavelength λ_d (nm)/ CIE (x,y)	Resin Type	Typ. Luminous Intensity I_v (mcd)	Viewing Angle (deg.)	Typ. Forward Voltage V_F (V)	Forward Current I_F (mA)
L-513GD-TBFHJ	LJR5GD721	Yellow Green	570	Green Diffused	28	60	1.9	20
L-513YD-TBFHJ	LJR5YD720	Yellow	587	Yellow Diffused	35	60	2.1	20
L-513AD-TBFHJ	LJR5AD722	Orange	605	Orange Diffused	15	60	2.1	20
L-513ED-TBFHJ	LJR5ED719	Super Red	628	Red Diffused	30	60	1.9	20
L-513SRD-TBFHJ	LJR5SRD718	Hyper Red	640	Red Diffused	40	60	1.8	20

5 mm

Taping Lamp

L-513-TRFHJ Series



Unit : mm

Part NO	H	J
L-513XX-TRF 180A	18.0mm	3.0mm
L-513XX-TRF 190B	19.0mm	4.0mm
L-513XX-TRF 200C	20.0mm	5.0mm
L-513XX-TRF 220D	22.0mm	6.0mm
L-513XX-TRF 240E	24.0mm	7.0mm

Part No.	Ref. PN	Emitting Color	Wavelength λ_d (nm)/ CIE (x,y)	Resin Type	Typ. Luminous Intensity I_v (mcd)	Viewing Angle (deg.)	Typ. Forward Voltage V_F (V)	Forward Current I_F (mA)
L-513GD-TRFHJ	LJR5GD716	Yellow Green	570	Green Diffused	28	60	2	20
L-513YD-TRFHJ	LJR5YD715	Yellow	587	Yellow Diffused	35	60	2.1	20
L-513AD-TRFHJ	LJR5AD717	Orange	605	Orange Diffused	15	60	2.1	20
L-513ED-TRFHJ	LJR5ED714	Super Red	628	Red Diffused	30	60	1.9	20
L-513SRD-TRFHJ	LJR5SRD713	Hyper Red	640	Red Diffused	40	60	1.9	20